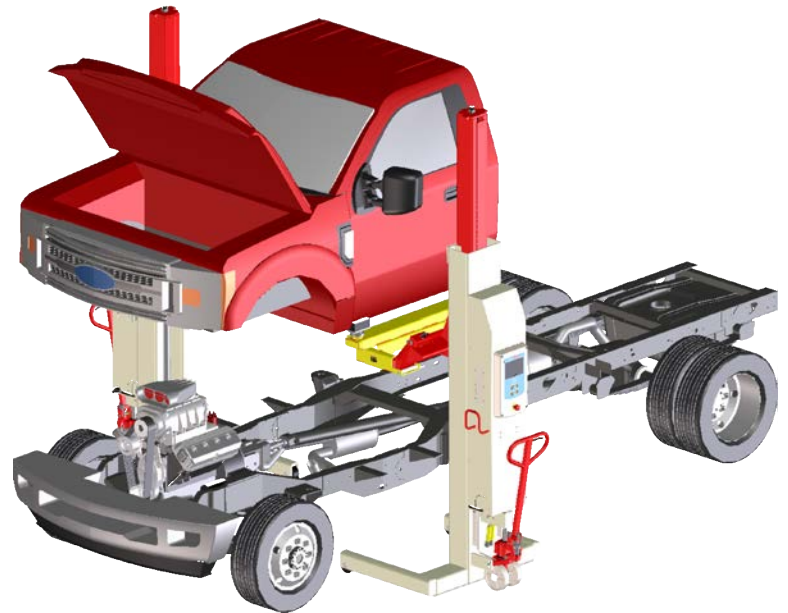


Capacity 2,000 lb ea. / 4,000 lb set



## Cab-Off Adapter

Looking to service 2-door and 4-door trucks on your Stertil-Koni mobile column lifts? Take your vehicle maintenance to the next level with our Cab-Off Adapter.

This versatile solution guarantees a smooth and secure cab elevation, allowing access to the engine and transmission for safe and efficient servicing.

- Allows for safe and efficient raising of the cab from truck chassis for easy access to engine and transmission

- Adjustable width adapter effortlessly reaches tricky lift points
- Supports 2-door and 4-door trucks
- Robust steel construction
- For use with 2 mobile column lifts



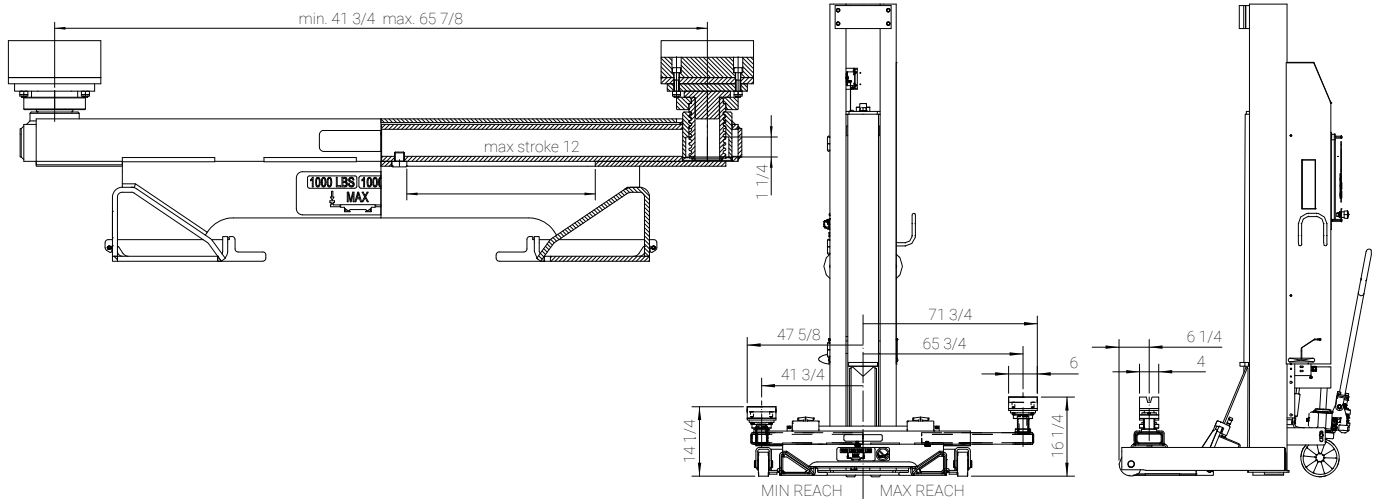
Safety



Ergonomic



Efficiency



DIMENSIONS IN INCHES

## Specifications 38010970 / Cab-Off Adapter

Max. capacity (at full arm extension):	2,000 lb ea. / 4,000 lb set
Arms max. reach:	65 7/8"
Arms min. reach:	41 3/4"
Pinch weld adapter height - full extension:	16 1/4"
Pinch weld adapter height - full retraction:	14 1/4"
Weight (each adapter):	210 lb
Overall width (at min. arm extension):	95 1/4"



Cab-Off Adapter - English USA. Stertil is a registered trademark of Stertil® B.V. We reserve the right to make changes in specifications without notice and without making changes retroactive.



member of Stertil Group

Stertil-Koni U.S.A. Inc.  
 P.O. 200 Log Canoe Circle  
 Stevensville, Maryland 21666  
 Tel. 410-643-9001  
 Toll free 800-336-6637  
 Fax 410-643-8901  
 lifts@stertil-koni.com