

Capacity 1,100 lbs



Hydraulic Wheel Dolly

The Stertil-Koni WD-5P is a fully hydraulic high lift wheel dolly, simplifying the strenuous task of wheel and tyre maintenance. Manufactured to high ergonomic standards with robust steel framing and covers for foot protection. An ultimate ergonomic design.

- Suitable for all wheels and tires: single and double 31" - 47"
- Air-driven hydraulic pump with adjustable speed

- Precision alignment with hydraulic tilting forks and separate rollers for first and second wheel
- Open chassis for extra working space and accessibility
- Retaining bracket for secure removal and reinstallation of wheels and tires
- Swivel casters for easy maneuverability and positioning
- Fully adjustable air tool holder lifting/impact gun



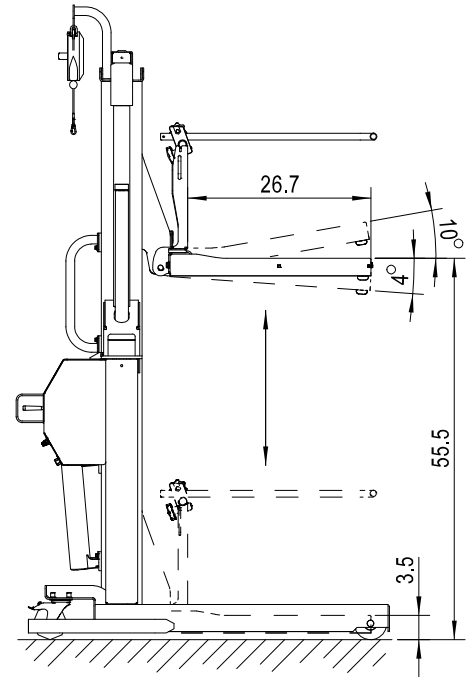
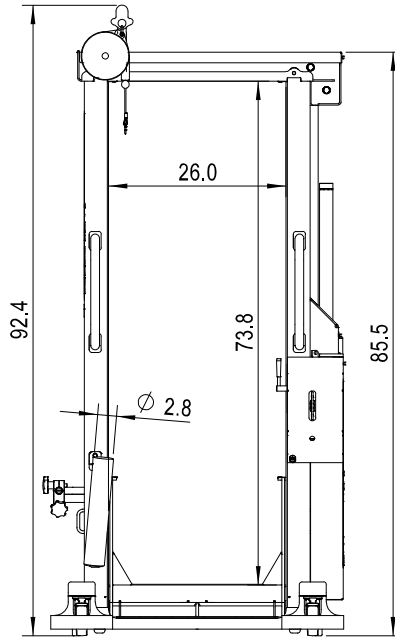
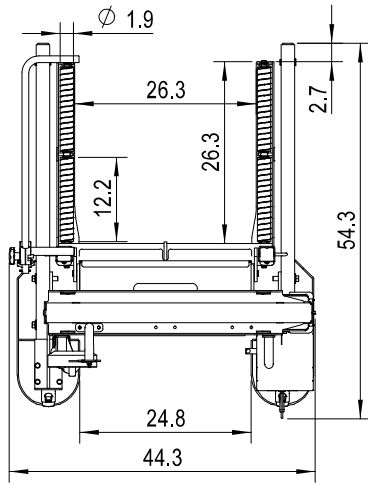
Safety



Ergonomic

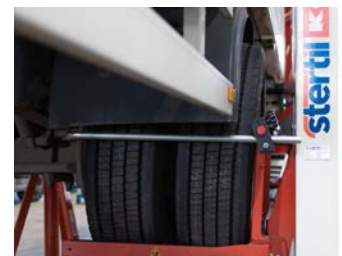


Efficiency



Specifications WD-5P / High Lift Wheel Dolly

Capacity:	1,100 lbs
Height:	85.5"
Length:	54.3"
Width:	44.3"
Double Roller Length:	26.3"
Fork Length:	26.7"
Wheel Sizes	31.5" - 47.2"
Lifting Height:	55.5"
Lifting Speed:	1.8"/sec
Tilt Angles:	10° up 4° down
Pneumatic Operation Pressure:	72 -145 Bar
Air Gun Balancer	20-31 lbs
Weight:	575 lbs



steril KONI

member of Steril Group

Steril-Koni U.S.A. Inc.
P.O. 200 Log Canoe Circle
Stevensville, Maryland 21666
Tel. 410-643-9001
Toll free 800-336-6637
Fax 410-643-8901
lifts@steril-koni.com

steril-koni.com

X SterilKoniUSA

Instagram SterilKoniUSA

Facebook SterilKoniUSA