

**TJ3**  
**TJ6**  
**TJ10**  
**TJT12**

Capacity 660 / 1,320 / 2,200 / 2,640 lbs



### Hydraulic transmission jack

- Pedal operated pump leaving both hands free for working
- Precise adjustment for positioning of transmission
- Hand operated dead man's release for optimum safety when lowering
- Galvanized support saddle and base frame
- Built-in safety overload valve
- Sturdy swivel castors for optimum stability and maneuverability
- Hard chromium plated piston rod and pump piston for long life
- Also suitable for many other lifting operations such as mounting of springs, fuel tanks, exhaust pipes etc.

## Options



### Gearbox saddle

Capacity: 660 lbs

Dimension: 14 1/8" x 14 1/2"



### Heavy duty gearbox saddle

Capacity: 2200 lbs

Dimension: 20 7/8" x 15"



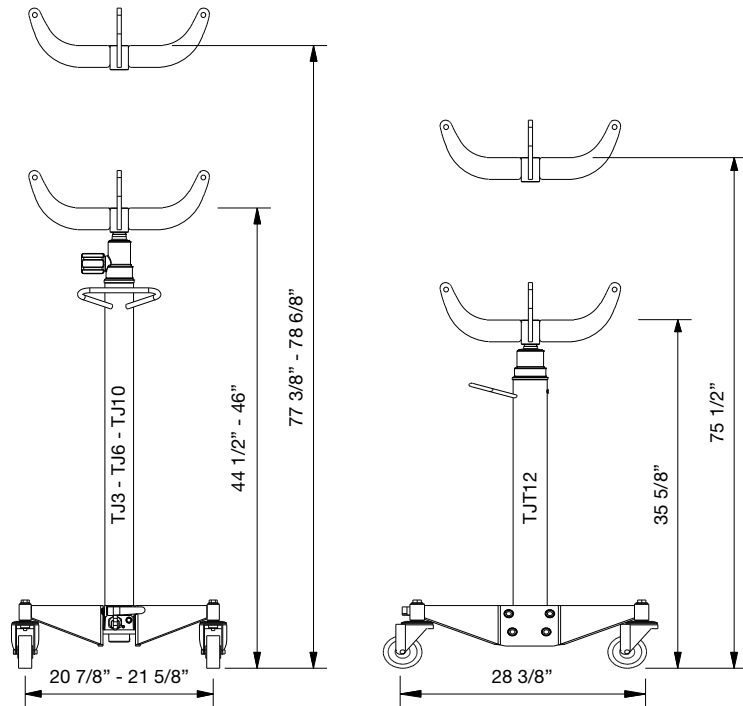
### Saddle

Suitable for mounting springs, fuel tanks, exhaust pipes etc.



### Rubber cushion

To be used with the saddle for protection of car body



	TJ3	TJ6	TJ10	TJT12
Capacity	660 lbs	1,320 lbs	2,200 lbs	2,640 lbs
Min. height	44 1/2"	44 1/2"	46"	35 5/8"
Max. height	77 3/8"	77 3/8"	78 6/8"	75 1/2"
Width	20 7/8"	20 7/8"	21 5/8"	28 3/8"
Weight	72,6 lbs	72,6 lbs	88 lbs	154 lbs
Wheel diameter	3 1/8"	3 1/8"	5"	5"

**stertil KONI**

 a member of the Stertil Group

Stertil-Koni U.S.A. Inc.  
200 Log Canoe Circle  
Stevensville, Maryland 21666  
Tel. 410-643-9001  
Toll free 800-336-6637  
Fax 410-643-8901  
lifts@stertil-koni.com

www.stertil-koni.com

 StertilKoniUSA

 @StertilKoniUSA