

**FPJ150F  
FPJ150U**

Capacity 15 t



### Air hydraulic floor pit jack with telescopic cylinder

- Flexible pit jack for use both in pits and under vehicle lifts
- Ideal for dis- and remounting of gearboxes due to telescopic cylinder
- Traversing ram ensures a wide reach under the vehicle and enables the mechanic to move freely back and forth in the pit (Model FPJ150U)
- Rapid and precise air hydraulic unit with high speed ram travel up and down
- Built-in manual foot pump for easy and precise adjustment
- Spring loaded wheel support prevents unintended movements when lifting more than 800 kg
- Dead man's release and safety overload valve for optimum safety
- Base frame wheels fitted with bearings for optimum manoeuvrability

## Options



### Support bridge

capacity 15 t



### Gearbox saddle

capacity 1,0 t

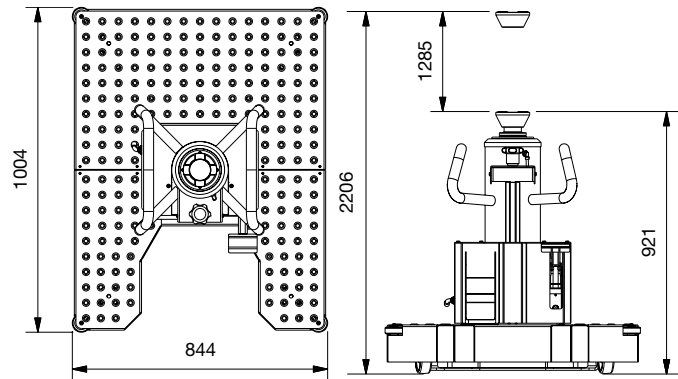


### Adjustable cross

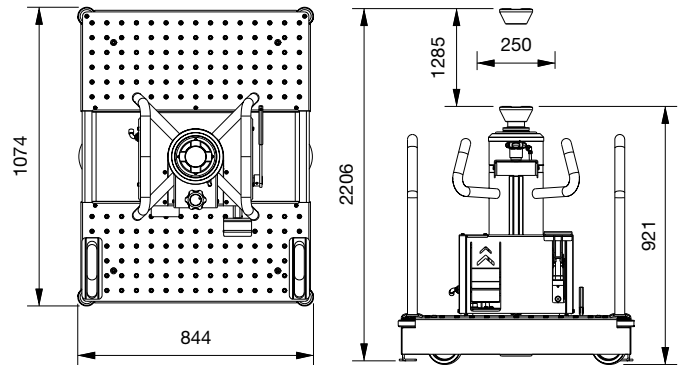
beam adapter

capacity 13 t

Rail guided floor pit jack optional available



FPJ150F



FPJ150U

	FPJ150F	FPJ150U
Capacity	15 t	15 t
Stroke	1285 mm	1285 mm
Min height	921 mm	921 mm
Max height	2206 mm	2206 mm
Traversing cylinder	n.a.	250 mm
Baseframe width	844 mm	844 mm
Baseframe depth	1004 mm	1074 mm
Cylinder diameter	ø 60 mm	ø 60 mm
Air supply	8,5 - 12 bar	8,5 - 12 bar
Air consumption	350 l/min	350 l/min
Weight	220 kg	250 kg

**stertil** **KONI**

 a member of the Stertil Group

Stertil B.V.  
P.O. Box 23  
9288 ZG Kootsterille  
The Netherlands  
Tel. +31(0)512 334444  
info@stertil.nl

www.stertilkoni.com

 Stertil-Koni

 Stertil