



Axle Stands

The safe and robustly designed Axle Stands from Stertil-Koni are available in 5 models. Available in various model sizes; a low, mid and high range and with a capacity of 18,500 - 26,500 lbs.

- Easy and ergonomic manoeuvrability
- Excellent accessibility
- Durable and robust

- Improved Standard Adapter
- A fine adjustment adapter is available for all models
- Compliant with the stringent ASME/PASE 2019 standard
- Tested with a static load based on 200% of the rated capacity
- Testing has been performed asymmetrically equal to rated capacity
- Spring-Loaded wheels for easy stand positioning



Specifications

Model: JS-L12

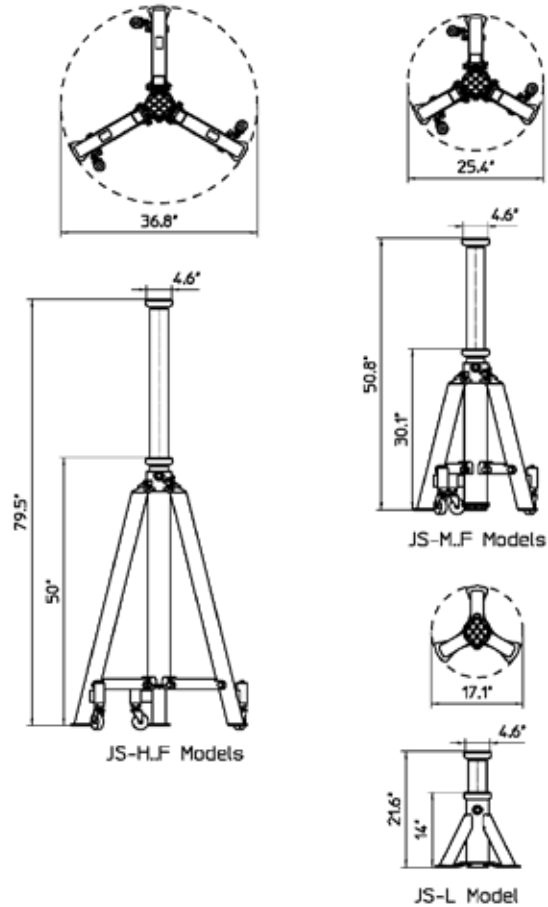
Type: fixed axle stand
 Capacity: 26,500 lbs
 Height: 14" min. – 21.6" max.
 Adjustable: 7.8", 3 positions / 4 pin stops
 Weight: 40.7 lbs each

Models: JS-M8F & JS-M12F

Type: fixed axle stand
 Capacity: 18,500 lbs & 26,500 lbs
 Height: 30" min. – 50.8" max.
 Adjustable: 20.8", 7 positions / 8 pin stops
 Weight: 110 lbs, 114 lbs each

Models: JS-H8F & JS-H12F

Type: fixed axle stand
 Capacity: 18,500 lbs & 26,500 lbs
 Height: 50" min. – 79.5" max.
 Adjustable: 29.5", 10 positions / 11 pin stops
 Weight: 169 lbs, 176 lbs each



Options

Standard Adapter



V-Shaped Adapter



Fine Adjustment (2.9" max.)



U-Shaped Adapter



 a member of the Stertil Group

Stertil-Koni U.S.A. Inc.
 200 Log Canoe Circle
 Stevensville, Maryland 21666
 Tel. 410-643-9001
 Toll free 800-336-6637
 Fax 410-643-8901
 lifts@stertil-koni.com

